



FEED AND BIOFUEL
WING CRUMBLER
TYPE VG500

The crumbler has been developed for the feed industry for crushing and fin grinding of feed. If there is any doubt of the crumbling ability of a specific raw material, ANDRITZ technical department should be contacted for further information.

When using the crumbler for other purposes than the crumbling of meal compounds ANDRITZ cannot take any responsibility for damage.

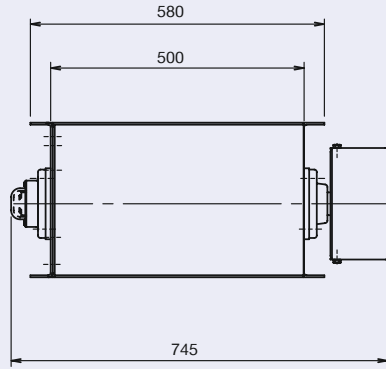
It is important to ensure that the added material does not contain foreign matters, such as stones,

bolts, nuts etc. Furthermore, the added material may not contain filaments such as cords, steel wires, plastics, long straws etc. It must be ensured that such foreign matters are separated before the compound reaches the crumbler, e.g. by means of magnets and stone traps.

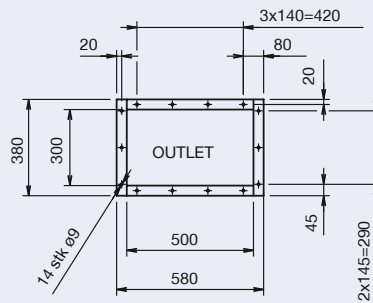
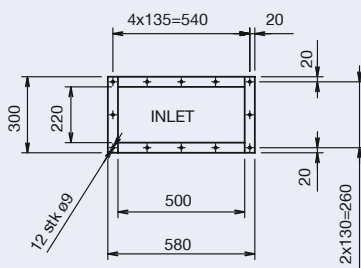
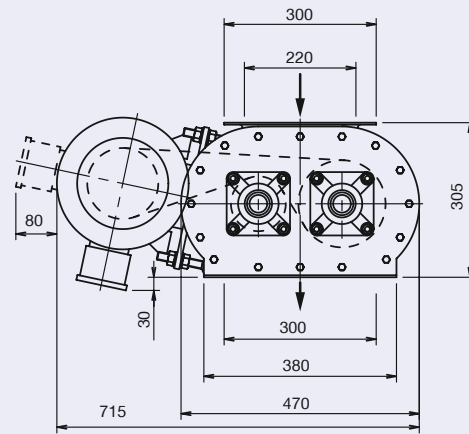
ANDRITZ

ENGINEERED SUCCESS

Type VG500



Total weight: 200 kg
Excl. motor: 140 kg



Dimensions in mm

TECHNICAL DATA

Type VG500

Housing	Stainless steel	x
Motor		5.5 kW (7.5 HP)
		4 pol, 50 Hz/6 pol, 60 Hz
		1460/1170 rpm
Roller	Stainless steel	
	Diameter	ø200
	Length	500 mm
Velocity	Tooth belt drive	A: 690/550 rpm
		B: 1040/830 rpm
Number of wings	Exchangable	Standard 2x7
		Alternative 2x13 or 2x16
Total weight		200 kg

ANDRITZ Feed and Biofuel A/S

andritz-fb.dk@andritz.com

p: +45 72 160 300 / andritz.com/ft

ANDRITZ

All data, information, statements, photographs and graphic illustrations in this leaflet are without any obligation and raise no liabilities to or form part of any sales contracts of ANDRITZ AG or any affiliates for equipment and/or systems referred to herein. © ANDRITZ AG 2018. All rights reserved. No part of this copyrighted work may be reproduced, modified or distributed in any form or by any means, or stored in any database or retrieval system, without the prior written permission of ANDRITZ AG or its affiliates. Any such unauthorized use for any purpose is a violation of the relevant copyright laws. ANDRITZ AG, Stattegger Strasse 18, 8045 Graz, Austria.



1233 GB

B 0718